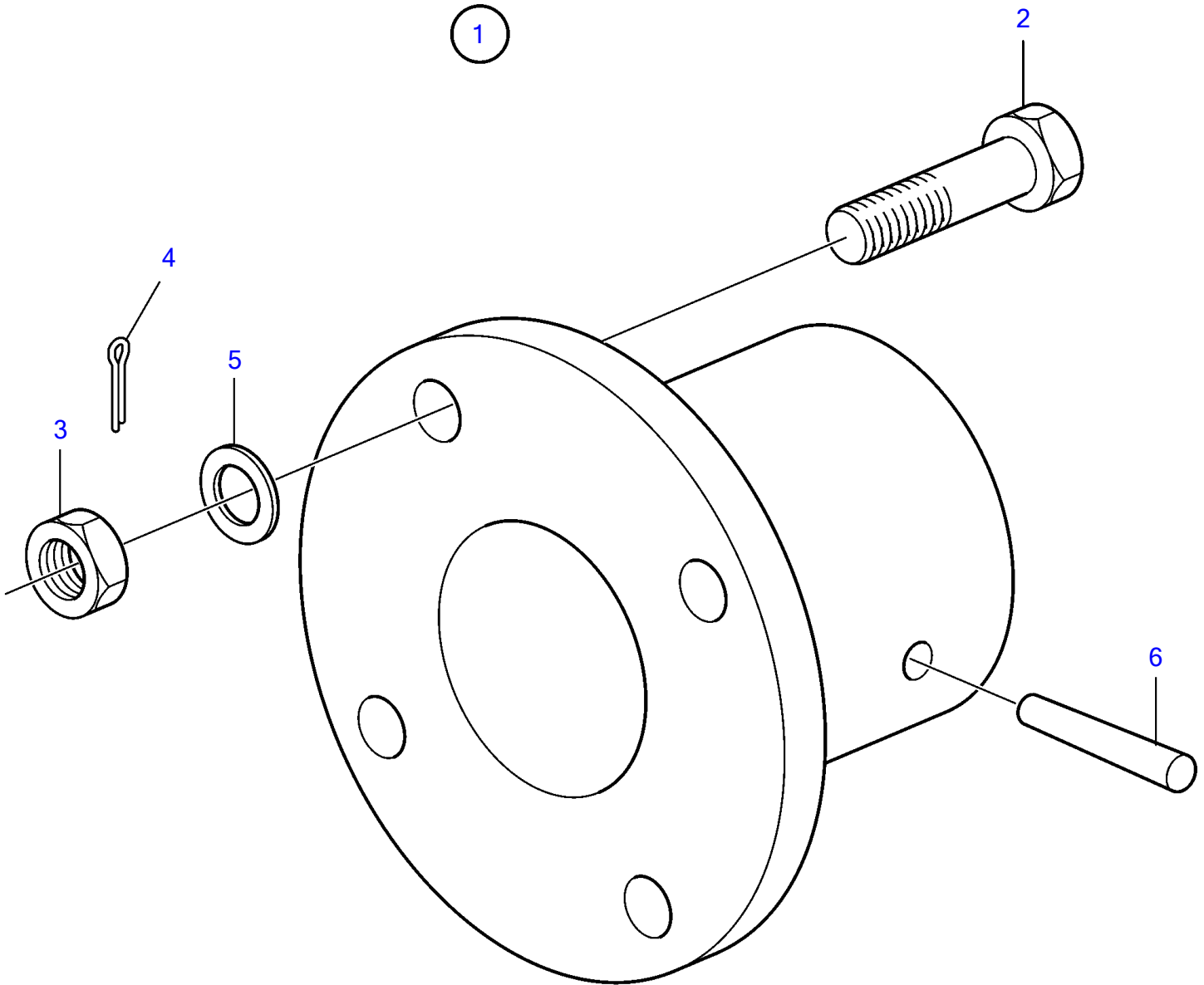


AD41D, D41D, TAM41D, TMD41D



4624

AD41D, D41D, TAMD41D, TMD41D

REF	PART NO.	QTY	DESCRIPTION	NOTES
1	819105	1	Clutch flange	
2	955693	4	• Hexagon screw	L=38mm
	955691	4	• Hexagon screw	L=25mm
3	950375	4	• Lock nut	
5	941904	4	• Spring washer	
6	907617	1	• Taper pin	